

For reference only. See data sheet for the detailed specifications.

## Technical Specification



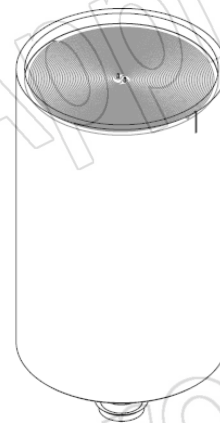
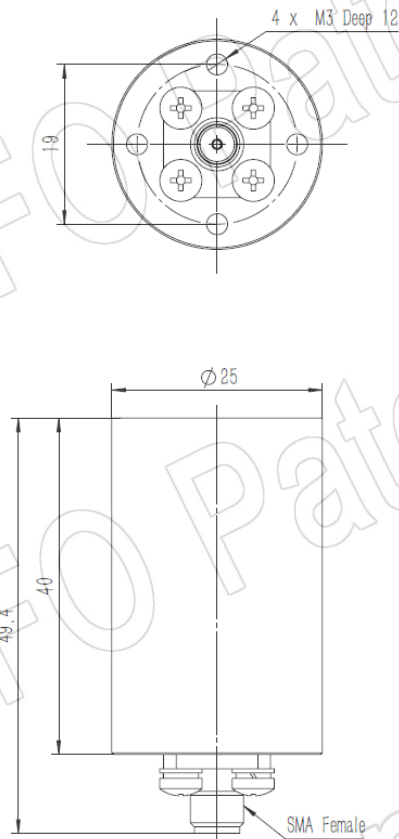
Frequency Range(GHz)	8.0 – 18.0
Gain(dBic)	1.0 – 7.0
	4.0 Typ.
Polarization	RHCP or LHCP
Axial Ratio(dB)	1.5 Typ.
	4.0 Max.
3dB Beamwidth(deg)	E Plane: 100 - 40
	H Plane: 95 - 50
VSWR	2.0:1 Typ.
	3.0:1 Max.
Connector	SMA-Female
Material	Al
Size(mm)	25 x 25 x 49.4
Net Weight(Kg)	0.03 Around

PATENT ID (China)

ZL201921373071.0

## Outline Drawing (Size: mm)

SMA-Female Output (P/N: LX-80180\_RHCP or LX-80180\_LHCP)



**AINFO Inc.**

China(Beijing):  
China(Chengdu):  
USA :

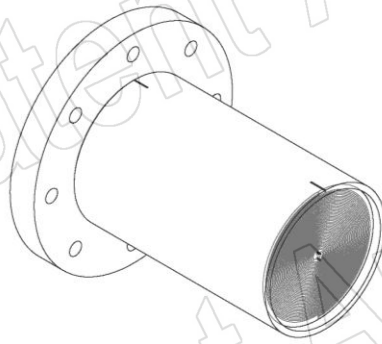
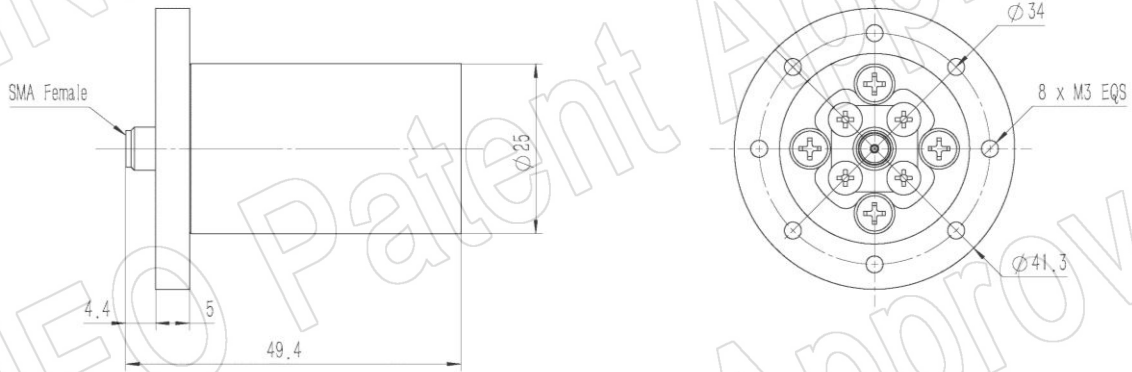
Tel: (+86) 10-6266-7326,  
Tel: (+86) 28-8519-2786,  
Tel: (+1) 949-639-9688,

(+86) 10-6266-7327  
(+86) 28-8519-3044  
(+1) 949-639-9608

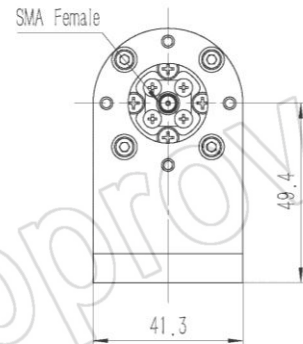
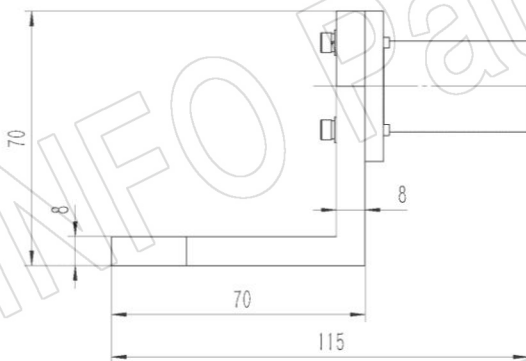
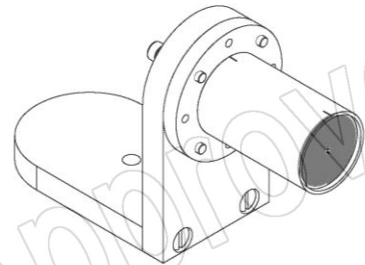
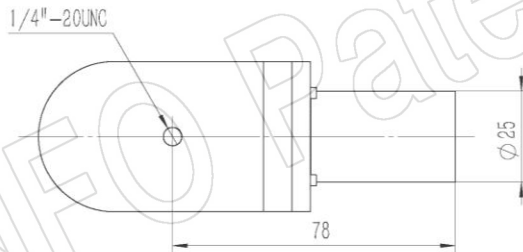
Fax: (+86) 10-6266-7379  
Fax: (+86) 28-8519-3068  
Fax: (+1) 949-639-9670

Website: [www.ainfoinc.com](http://www.ainfoinc.com)  
Email: [sales@ainfoinc.com](mailto:sales@ainfoinc.com)

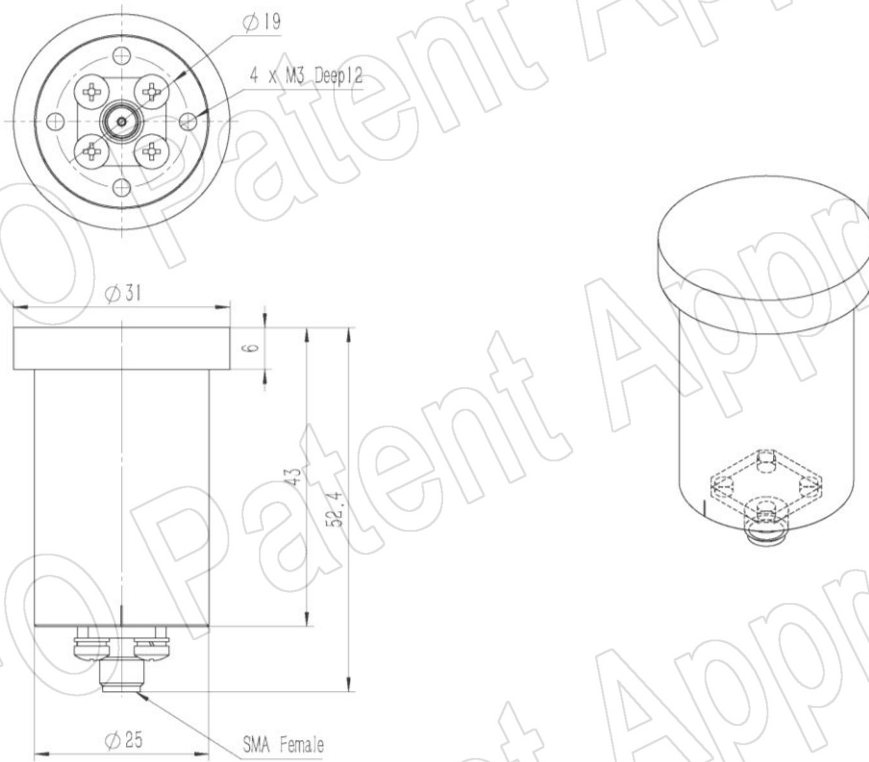
**SMA-Female Output with Radome & Round Mounting Bracket (Option, P/N: LX-60180-MB)**



**SMA-Female Output with Radome & L Type Mounting Bracket (Option, P/N: LX-60180-MBL)**



SMA-Female Output with Radome (Option, P/N: LX-80180\_RHCPSPPO or LX-80180\_LHCPSPPO, Outdoor Application)



## AINFO Inc.

China(Beijing):  
China(Chengdu):  
USA :

Tel: (+86) 10-6266-7326,  
Tel: (+86) 28-8519-2786,  
Tel: (+1) 949-639-9688,

(+86) 10-6266-7327  
(+86) 28-8519-3044  
(+1) 949-639-9608

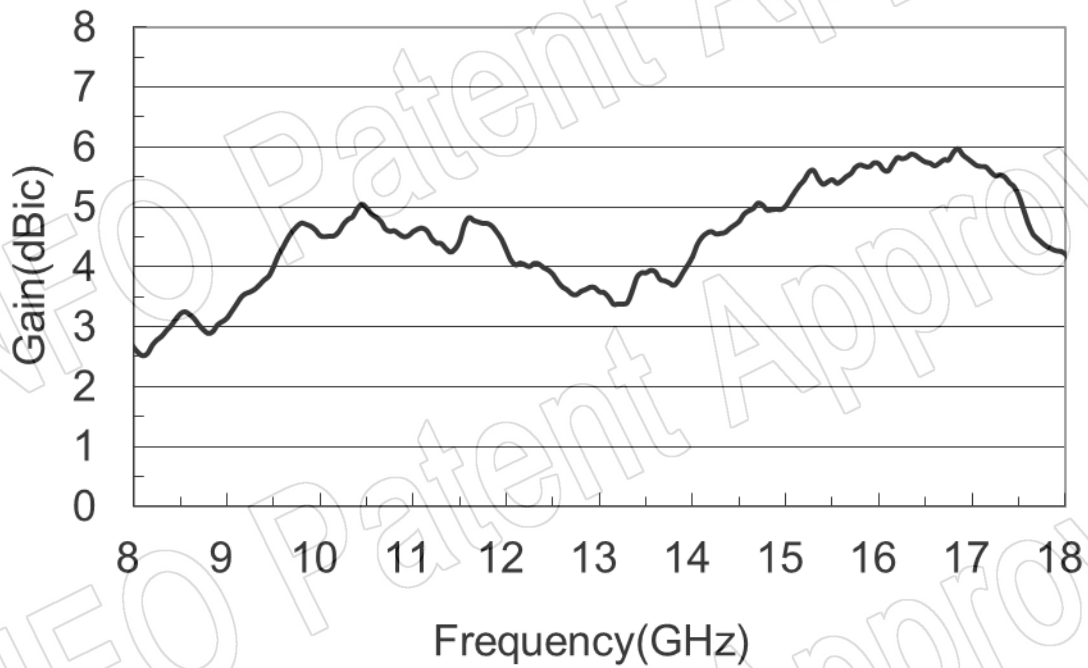
Fax: (+86) 10-6266-7379  
Fax: (+86) 28-8519-3068  
Fax: (+1) 949-639-9670

Page 3 of 9

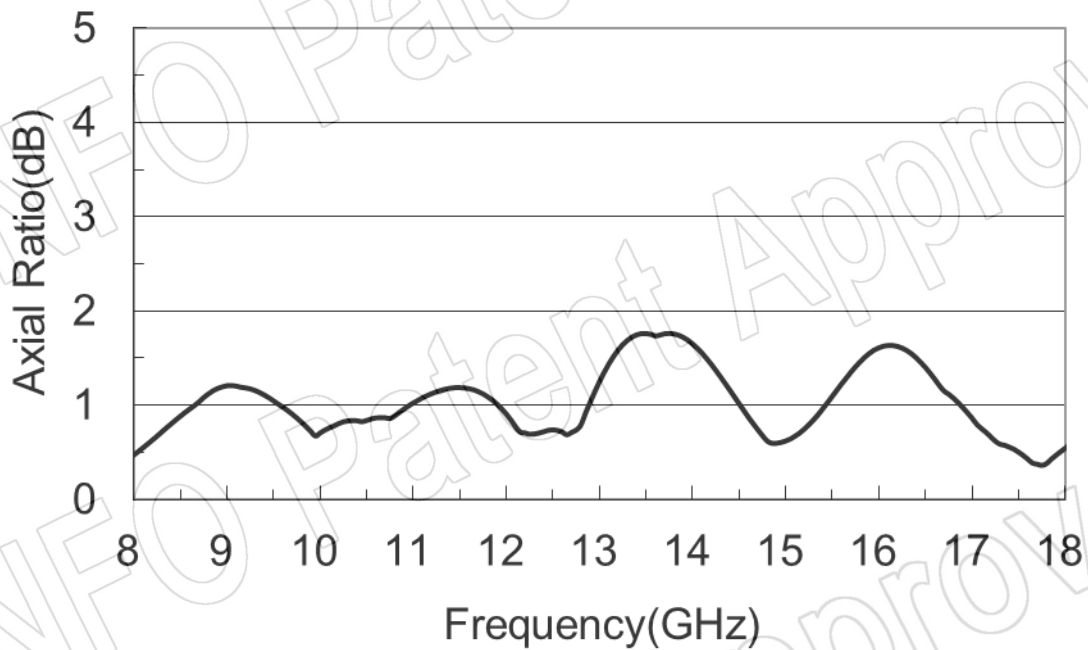
Website: [www.ainfoinc.com](http://www.ainfoinc.com)  
Email: [sales@ainfoinc.com](mailto:sales@ainfoinc.com)

## Test Results

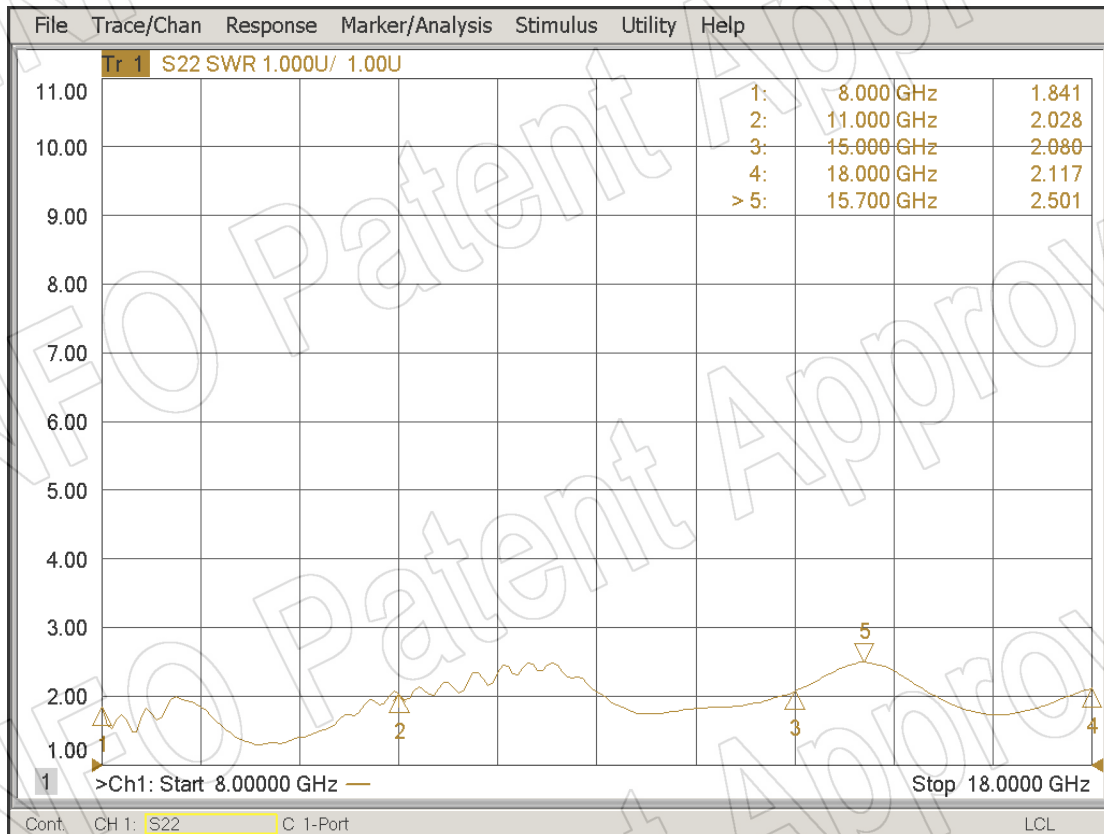
### 1. Gain



### 2. Axial Ratio



### 3. VSWR



### 4. Pattern

